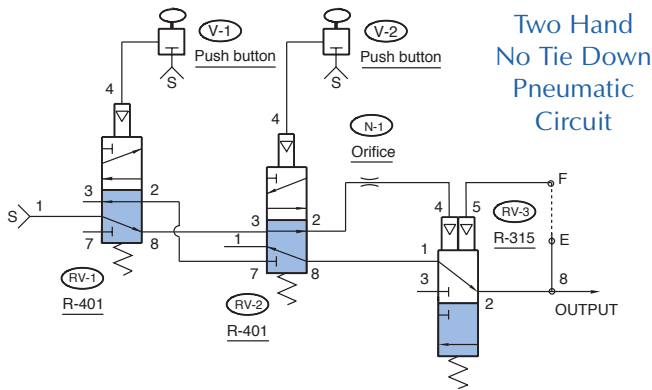


STEP ONE

Pneumatic Circuit

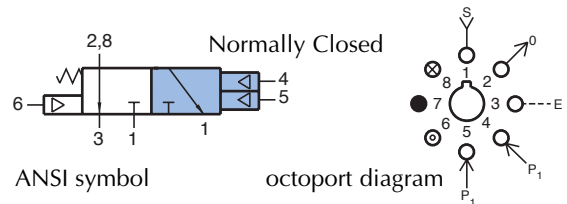
The first step in building a modular circuit is designing the pneumatic circuit using ANSI symbols.

Starting on page 273 we have a number of circuits utilizing Clippard Minimatic Modular Components. We have chosen the Two Hand No Tie Down Circuit for this demonstration.



STEP TWO

Specifications for the [R-315](#) modular valve



Octoport Diagrams

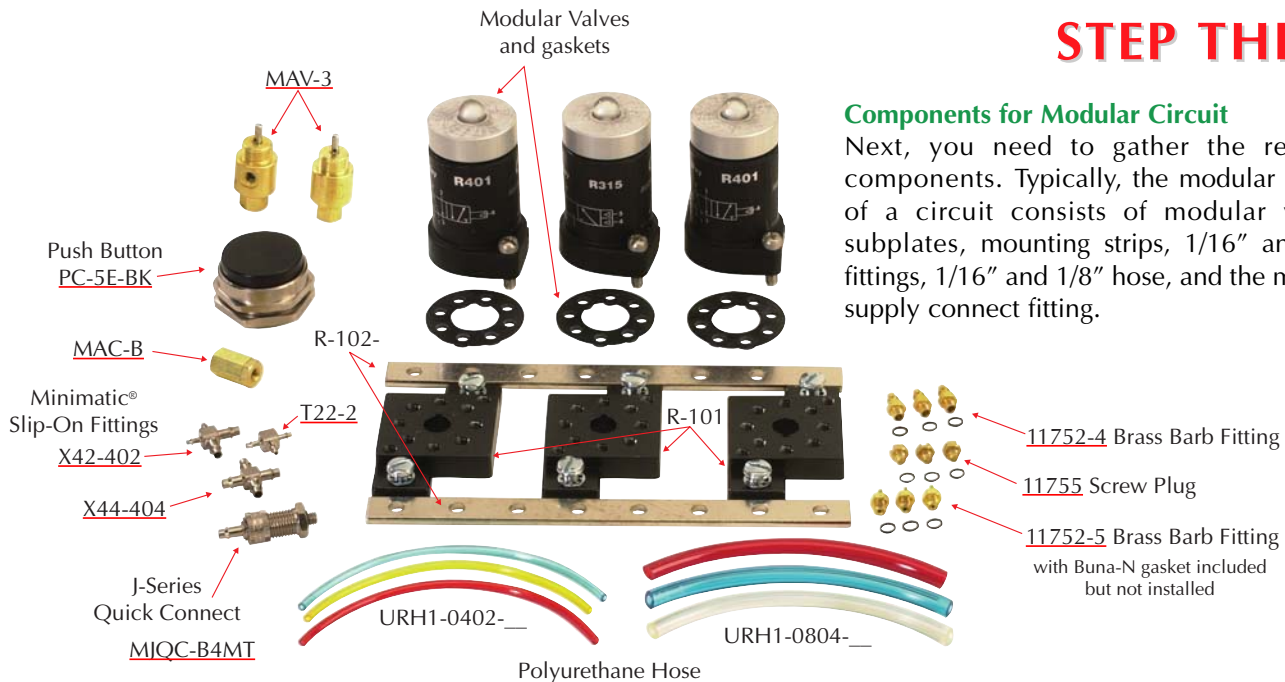
The next step is selecting the octoport diagram for each modular valve. Each Clippard modular valve (R-series) has its own unique octoport diagram which is shown to the right of the ANSI symbol.

See page 240 for clues for deciphering the Octoport port coding.

STEP THREE

Components for Modular Circuit

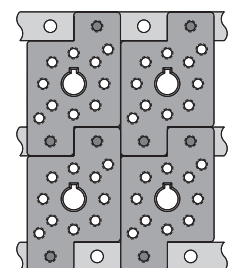
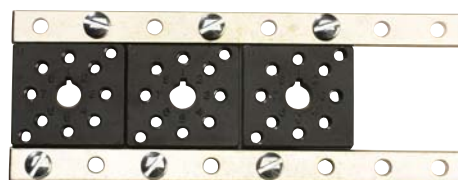
Next, you need to gather the required components. Typically, the modular portion of a circuit consists of modular valves, subplates, mounting strips, 1/16" and 1/8" fittings, 1/16" and 1/8" hose, and the main air supply connect fitting.



STEP FOUR

Mounting Strip and Subplate Assembly

The next step is assembling the mounting strips (R-102-) and subplates (R-101/R-101-M5).



Possible configurations for subplates